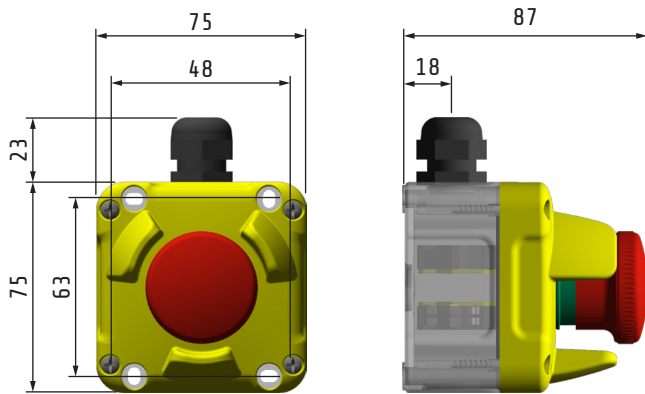


GML001P

EMERGENCY DEVICE WITH PROTECTIONS AND BACKLIT ELECTRONIC PCB



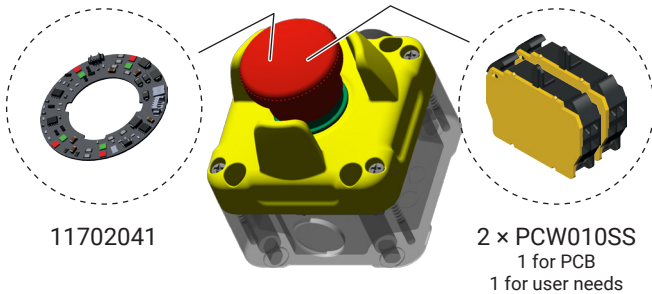
Technical data

Standards	IEC/EN 60947/3
Case	PC - V0 UL94
Protection class IEC/EN 60529	IP65
Cable entry	M16 / M20

11702041

- Backlit electronic PCB:
- normal: fixed green light
- triggered: flashing red light

Rated voltage	12/24 Vdc
Maximum current (I _{max})	100 mA
Material	FR4



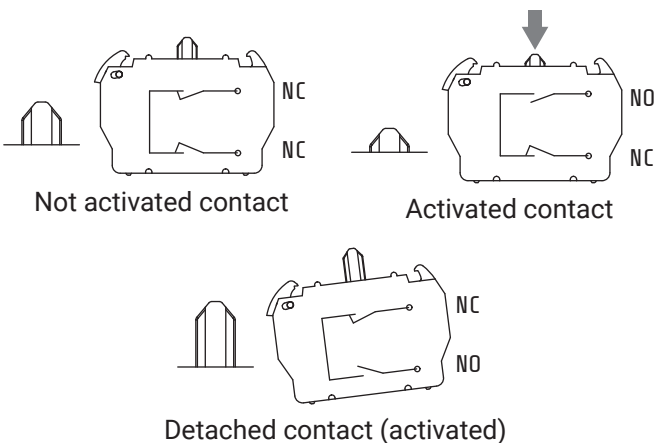
PCW010SS

Self monitored contact (NO-NC-NO)



Rated insulation voltage [U _i]	690 V
Frequency	50-60 Hz
Alternate current AC15	4 A - 500 V
Direct current DC13	0.4 A - 250 V
Standards	IEC / EN60947-5-1 UL508

PCW010SS working principle

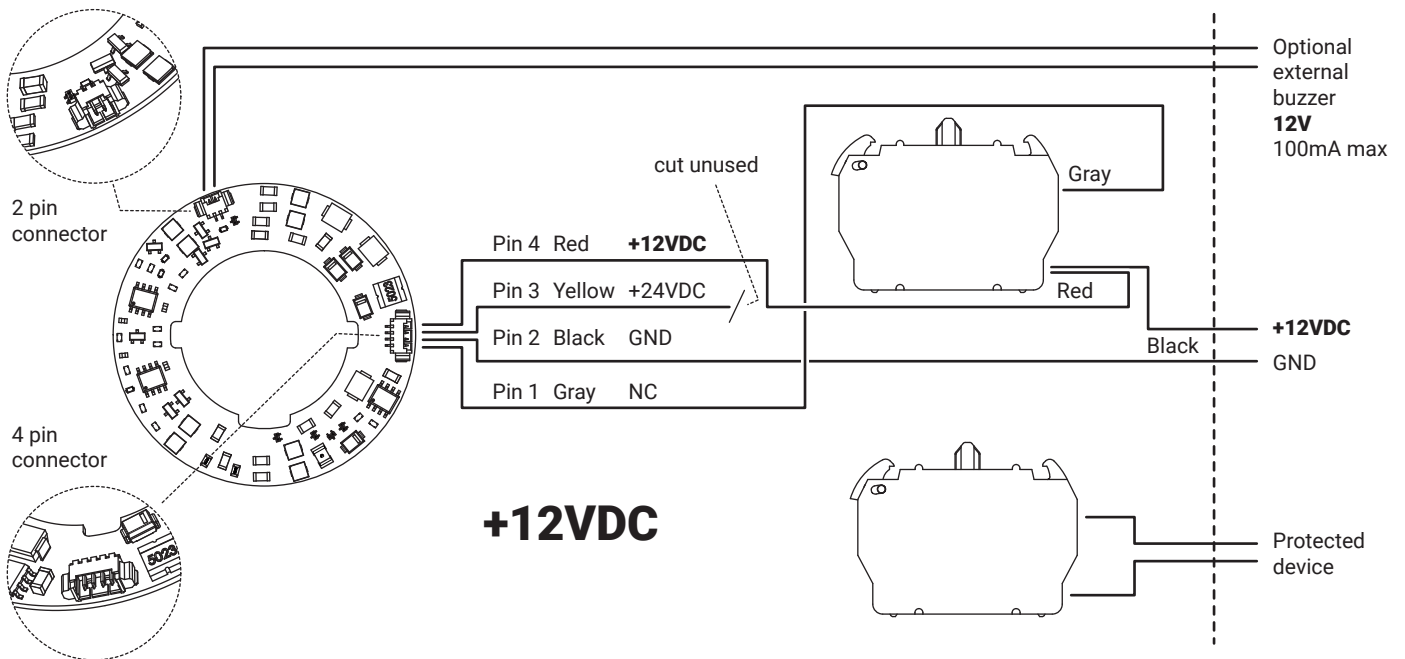
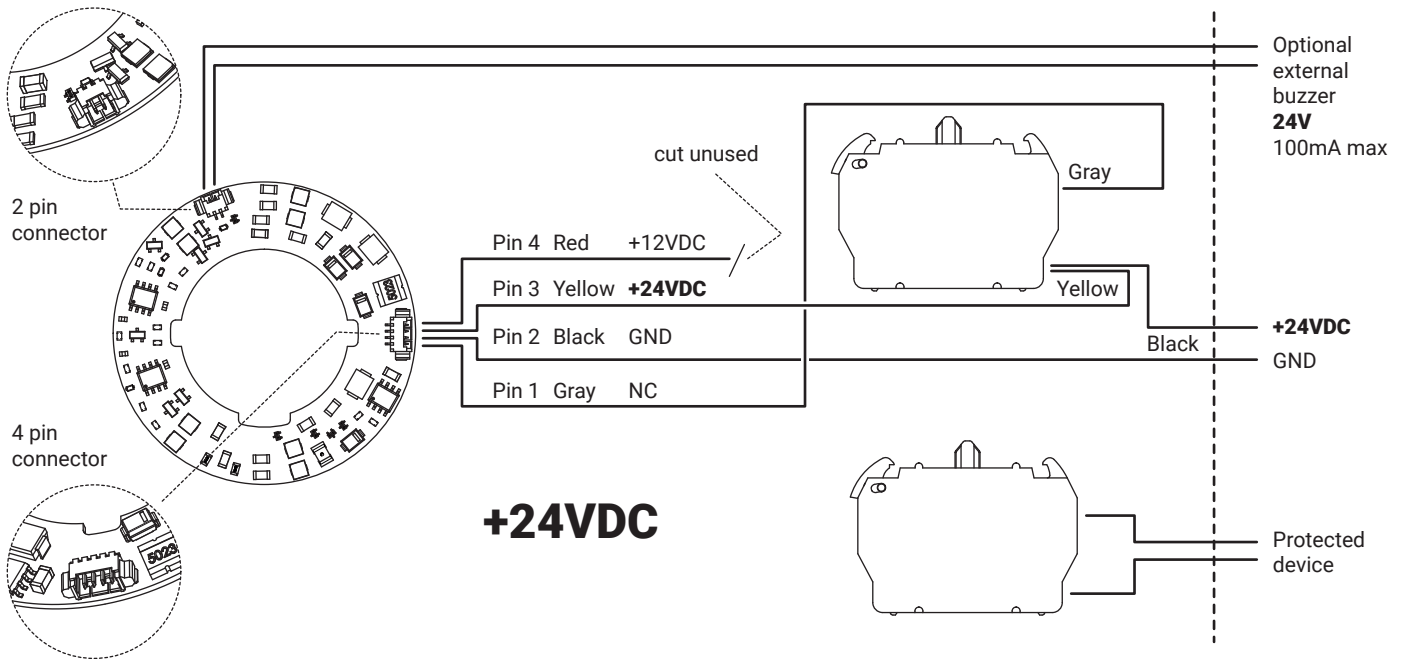


Connection EXAMPLES



ATTENTION

The optional external buzzer voltage must match the power supply voltage of the PCB.

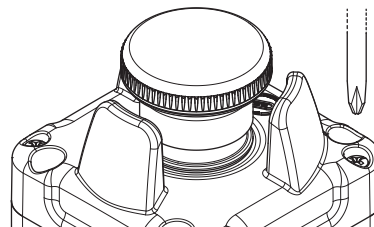


IMPORTANT NOTE

The connectors on the PCB board included on GML001P belong to the series MOLEX PicoBlade pitch 1.25 mm.

- J1 power connector is 4 pins male PCB Header Molex 53261-0471, mates with parts: Housing female Molex 51021-0400, or Cable Assembly Molex 15134-04xx.
- CN1 buzzer connector is 2 pins male PCB Header Molex 53261-0271, mates with parts: Housing female Molex 51021-0200, or Cable Assembly Molex 15134-02xx.

Tightening torques



TIGHTENING TORQUE

1.3-1.7 N×m
11.5-15 lb×in