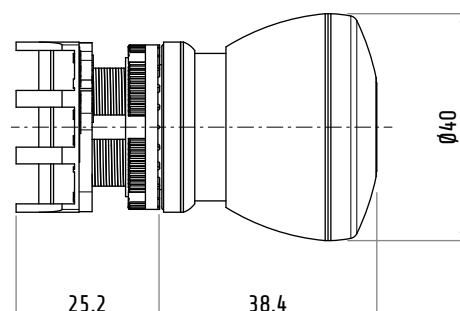
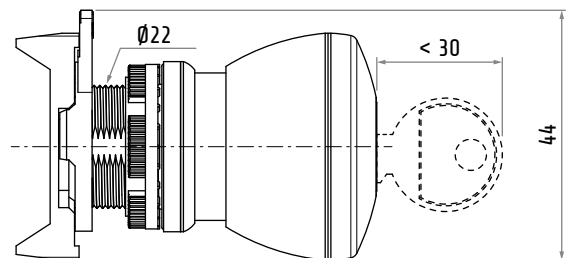
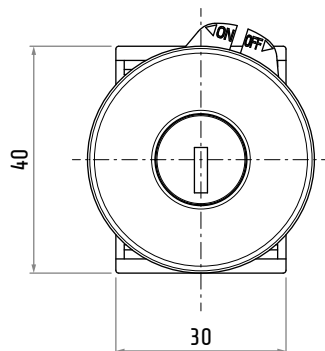


PPFN1C4NX

PPFN1C4NX

PEGASUS SERIES KEY RELEASE MUSHROOM PUSH BUTTON WITH Ø40 CAP

Series	Pegasus
Type	mushroom push button
Operation	key release
Cap	Ø40
Fixing	Ø22
Panel thickness	1 ... 6 mm
Drilling template compliance	IEC/EN60947-5-1 CENELEC EN50007
Mechanical life	0.3×10 ⁶ operations
IP rating	IP65
Material	thermoplastic
Marking	CE, IMQ, RINA, UKCA
Code	Version
PPFN1C4NX	solid



Dimensions in mm / Illustrations NOT in scale