

# Hour meters / timers, electronic

<b>LCD hour meters</b>	<b>Max. time range 99999 h 59 min or 99999.99 h</b>	<b>Codix 134</b>
------------------------	---	------------------



The Codix 134 is a simple battery-powered hour meter for PNP, NPN and high voltage applications.

Its 7-digit LCD display with optional backlighting can display various time ranges.



Battery powered	Timer	Input type	Pulse voltage	Pulse voltage	Temperature range	High protection level	DIN front bezel	LCD display	Lockable reset

### Powerful

- High quality LCD display with 8 mm high figures – optional display backlighting.
- Time range hours with minutes or industry minutes  
1 pulse = 36 sec programmable via control input.
- Battery lifetime 8 years.
- High voltage versions for 10 ... 260 V AC/DC voltage pulses, thus to be connected directly via contactors, relays and motors.
- Very high accuracy: 100 ppm.

### Simple

- Screw terminals, RM 5 mm.
- Reset key lockable via the input 'Reset Enable'.
- According to version for PNP, NPN switching level or high voltage version for 10 ... 260 V AC/DC switching voltage.
- Accumulated time is always readable thanks to battery powering.
- High protection level IP65.

<b>Order code</b>	<b>6.134 . 012 . 8XX</b>
	<small>a b</small>

**a** Backlighting

- 5 = without <sup>1)</sup>
- 6 = with

**b** Input type: operating hours counting

Input type	INP A		INP B	
0 = adding <sup>1)</sup>	–		0 ... 0.7 V DC	NPN
1 = adding <sup>1)</sup>	–		4 ... 30 V DC	PNP
3 = adding <sup>1)</sup>	10 ... 260 V AC/DC	AC/DC	10 ... 260 V AC/DC	AC/DC

*Delivery specification*

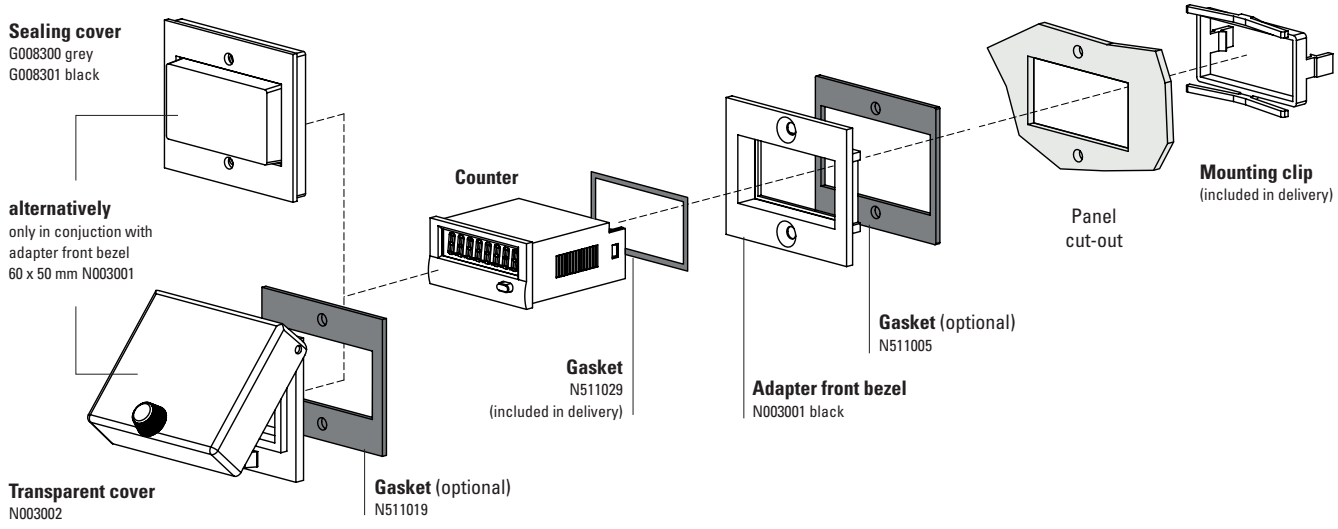
- Timer
- Mounting clip
- Front bezel for screw mounting (T008181) 56 x 40 mm [2.20 x 1.57"], panel cut-out 50 x 25 mm [1.97 x 0.98"]
- Front bezel for clip mounting (T008180) 53 x 28 mm [2.09 x 1.10"], panel cut-out 50 x 25 mm [1.97 x 0.98"]
- Gasket
- Instruction manual, multilingual

1) Stock types

# Hour meters / timers, electronic

<b>LCD hour meters</b>	<b>Max. time range 99999 h 59 min or 99999.99 h</b>	<b>Codix 134</b>
------------------------	---	------------------

## Accessories / Mounting examples



		Type / size	Description		Order no.	suitable gasket
<b>Adapter front bezel</b>		<b>53 x 28 mm</b> [2.09 x 1.10"]	for cut-out 50 x 25 mm [1.97 x 0.98"] to cut-out 45 x 22.2 mm [1.77 x 0.94"]	grey black anthracite	<b>T008164</b> <b>T008165</b> <b>T008180</b>	<b>N511015</b>
		<b>56 x 40 mm</b> [2.20 x 1.57"]	for cut-out 50 x 25 mm [1.97 x 0.98"] to cut-out 45 x 22.2 mm [1.77 x 0.94"] screw mounting	black anthracite	<b>T008161</b> <b>T008181</b>	<b>N511045</b>
		<b>72 x 36 mm</b> [2.83 x 1.42"]	for cut-out 68 x 33 mm [2.68 x 1.30"] to cut-out 45 x 22.2 mm [1.77 x 0.94"]	black and silver anodised as set	<b>162704Set</b>	–
		<b>60 x 50 mm</b> [2.36 x 1.97"]	for cut-out 54 x 29 mm [2.13 x 1.14"] to cut-out 45 x 22.2 mm [1.77 x 0.94"] screw mounting	black	<b>N003001</b>	<b>N511005</b>
		<b>48 x 48 mm</b> [1.89 x 1.89"]	for cut-out 45 x 45 mm [1.77 x 1.77"] to cut-out 45 x 22.2 mm [1.77 x 0.94"]	black	<b>T008883</b>	–
<b>Sealing cover IP65</b>		<b>K1</b>	only in conjunction with adapter front bezel 60 x 50 mm N003001	transparent / grey transparent / black	<b>G008300</b> <b>G008301</b>	–
<b>Transparent cover IP65</b>		<b>1 Dv</b> (mounted on bezel)	cover lockable, for cut-out 54 x 29 mm [2.13 x 1.14"], only in conjunction with adapter front bezel 60 x 50 mm N003001	transparent / black	<b>N003002</b>	<b>N511019</b>
<b>Gasket counter</b>			48 x 24 mm (for installation in adapter front bezel) 49 x 25 mm		<b>N511029</b> <b>N511034</b>	
<b>Mounting frame</b>		<b>cut-out</b> <b>50 x 25 mm</b> [1.97 x 0.98"]	via adapter T008180 for snap-on mounting on 35 mm [1.38"] top-hat DIN rail	chromated	<b>G300004</b>	–
<b>Enclosure blind</b>		<b>48 x 24 mm</b> [1.89 x 0.94"]	for cut-out 45 x 22.2 mm [1.77 x 0.94"] and cut-out 50 x 25 mm [1.97 x 0.98"]	anthracite	<b>G003836</b>	–

incl. in delivery

# Hour meters / timers, electronic

**LCD hour meters**
**Max. time range 99999 h 59 min or 99999.99 h**
**Codix 134**
**Technical data**
**General technical data**

<b>Display</b>	LCD, 7 digits, 8 mm [0.31"] high
<b>Backlighting</b>	external electrical source 24 V DC $\pm 20\%$ , 50 mA
<b>Modes</b>	adding
<b>Display range</b>	see next page
<b>Reset</b>	manual and electrical
<b>Working temperature</b>	-10 °C ... +55 °C [+14 °F ... +131 °F] (non-condensing)
<b>Operating temperature</b>	-10 °C ... +60 °C [+14 °F ... +140 °F] (non-condensing)
<b>Storage temperature</b>	-20 °C ... +70 °C [-4 °F ... +158 °F]
<b>Relative humidity</b>	< 85 % (non-condensing)
<b>Altitude</b>	up to 2000 m [6562']

**Electrical characteristics**

<b>Supply voltage</b>	internal lithium battery approx. 8 years at 20 °C [68 °F]
<b>EMC standards</b>	EN 55011 class B EN 61000-6-2, EN 61000-6-3
<b>Device safety</b>	designed to protection class 2 application area pollution level 2 EN 61010 part 1
<b>UL approval</b>	file E128604
<b>Measuring error</b>	per Start/Stop cycle a maximum error in the order of the smallest measuring time selected can occur

**Mechanical characteristics**

<b>Housing</b>	dark grey RAL 7021
<b>Protection</b>	IP65 (front side)
<b>Weight</b>	approx. 50 g [1.76 oz]

**Count input**
**A. Timer inputs DC versions (max. 30 V DC) INP B**

Timer input	NPN or PNP	depending on the type (see table)
Switching level	NPN	LOW: 0 ... 0.7 V DC
		HIGH: 3 ... 30 V DC
Counting start	PNP	LOW: 0 ... 0.7 V DC
	PNP	HIGH: 4 ... 30 V DC
Counting start	NPN	for LOW signal at the timer input
	PNP	for HIGH signal at the timer input

**B. Timer inputs high voltage versions (10 ... 260 V DC/V AC) INP A**

Timer input	optocoupler input
Min. pulse time	16 ms
Switching level	LOW: 0 ... 2 V DC/V AC
	HIGH: 10 ... 260 V DC/V AC
Counting start	for HIGH signal at the timer input

**C. Time range change (Mode)**

Contact input	NPN	open collector (switching at 0 V)
		LOW 0 ... 0.7 V DC
Time range	NPN	HIGH 3 ... 5 V DC
		depending on the circuit (s. order inform.)

**D. Reset input for DC (reset) and High voltage (INPB)**

Min. pulse time	DC	50 ms
	High voltage	16 ms
Contact input DC	NPN	LOW 0 ... 0.7 V DC
		HIGH 3 ... 30 V DC
High voltage input		10 ... 260 V AC/DC

**E. Reset locking input (for DC and AC)**

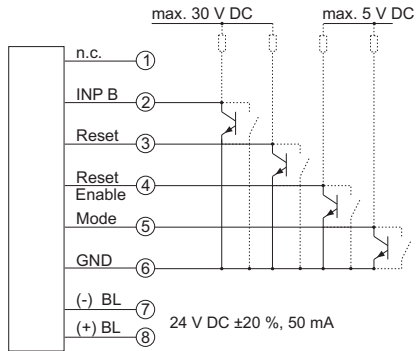
Electrical reset key locking		reset key locked
Input not active		open collector NPN (switching at 0 V)
Switching level	NPN	LOW 0 ... 0.7 V DC
		HIGH 3 ... 5 V DC

# Hour meters / timers, electronic

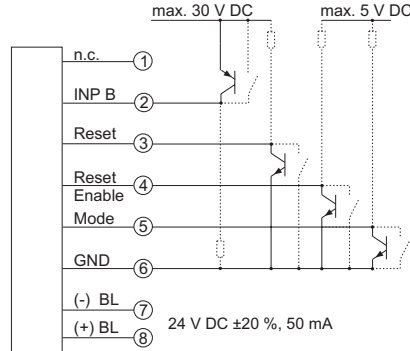
<b>LCD hour meters</b>	<b>Max. time range 99999 h 59 min or 99999.99 h</b>	<b>Codix 134</b>
------------------------	---	------------------

## Terminal assignment

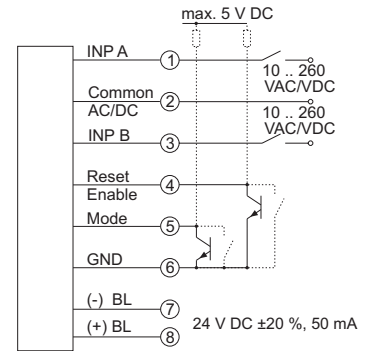
DC type: 6.134.012.8x0



DC type: 6.134.012.8x1



AC type: 6.134.012.8x3



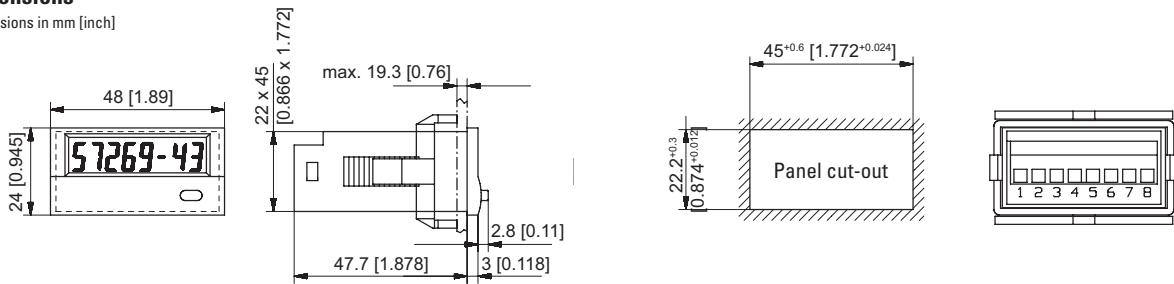
BL = backlighting

## Display and time ranges

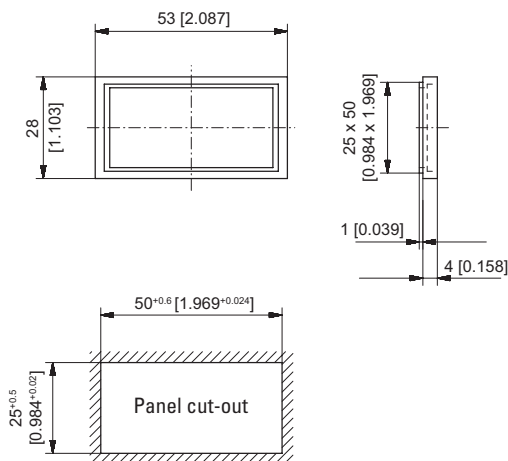
time range	display
99999 h 59 m	
99999.99 h	

## Dimensions

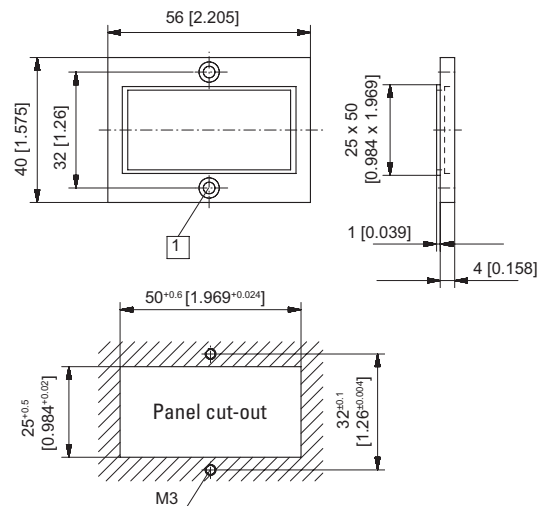
Dimensions in mm [inch]



### Front bezel for clip mounting (included in delivery)



### Front bezel for screw mounting (included in delivery)



1 Countersinking Af3, DIN 74