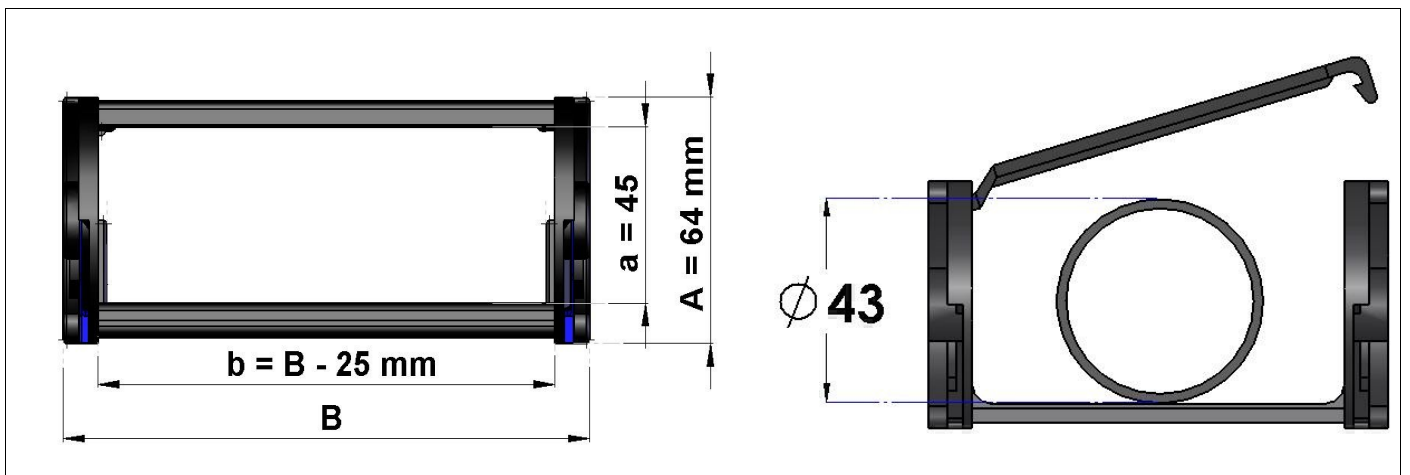


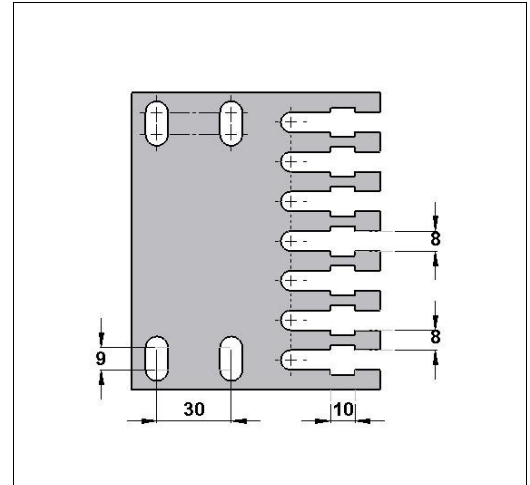
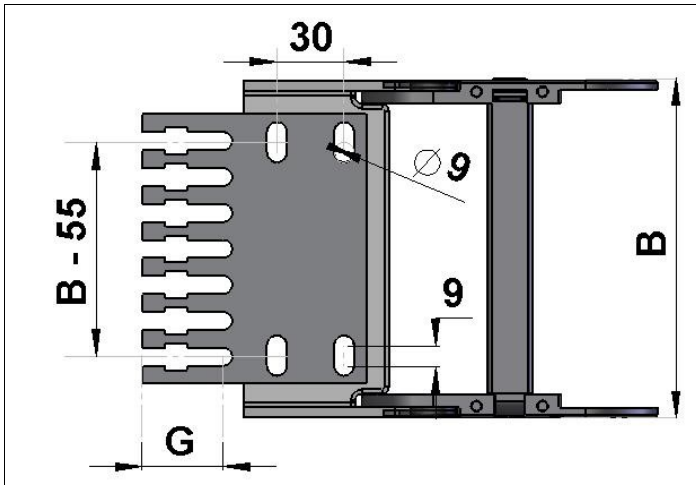
The chain 6830 is light in weight, rapid, and is suitable for all type of applications where travel lengths are up to 8 meters.

Since the inside height is 43 mm, it can accept 40 mm diameter cables .

Steel tiewrap can be used to fix cables at both sides of the chain. The divider separates and guides the cables. The use of tiewrap and dividers helps to increase the life of the cables.

Types	A	B	Ia	Ib	References					Kg/m
6830 A	64	100	45	75	D 011601	D 011602	D 011603	D 011604	D 011605	1,4
6830 B	64	150	45	125	D 011651	D 011652	D 011653	D 011654	D 011655	1,6
6830 C	64	200	45	175	D 011671	D 011672	D 011673	D 011674	D 011675	1,8
Rc in mm	Pitch = 68 mm			85	105	125	155	205		
Ht in mm	+ or -10 %			245	285	325	385	485		
	radius clips color			Blue	Green	White	Yellow	Red		

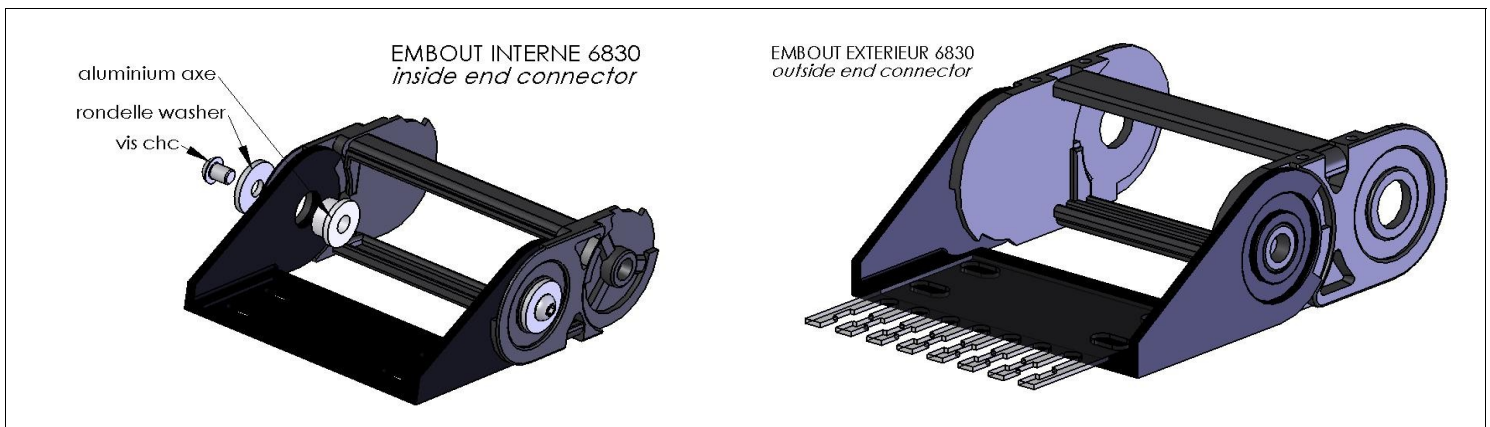


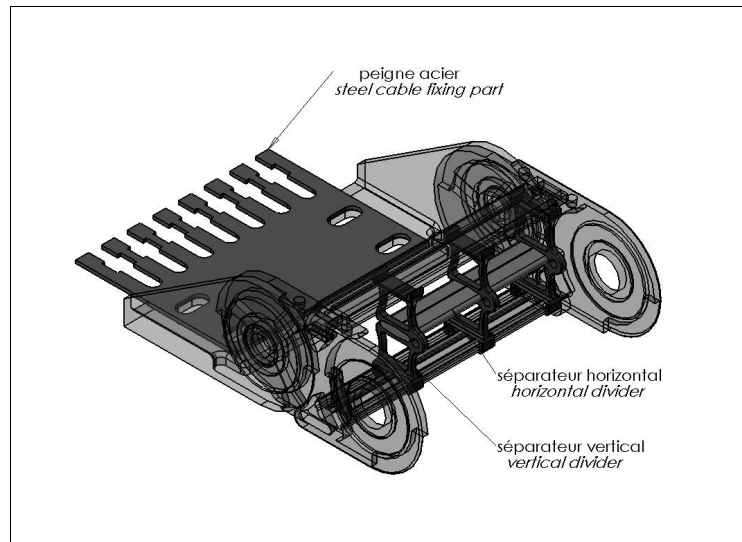


Modèles	End connector set References	B - 55 In mm	Screw	Thickness mm	Material
6830 A	D 010690	45	8 x M8	5	PA6 30 FV
6830 B	D 015690	95	8 x M8	5	PA6 30 FV
6830 C	D 017690	145	8 x M8	5	PA6 30 FV
6830	D 017695	145	8 x M8	3	Steel

Modèles	Tiewrap References	B - 55 In mm	Teeth nbre	Thickness mm	Material
6830 A	P 010691	45	5	2	Steel
6830 B	P 015691	95	8	2	Steel
6830 C	P 017691	145	11	2	Steel





Type	vertical divider References	Horizontal divider References	Central Height En mm	Thickness	Material
6830 A	D 010695	D 010605	20	3	PA6 15 FV
6830 B	D 010695	D 010655	20	3	PA6 15 FV
6830 C	D 010695	D 010675	20	3	PA6 15 FV

**Chain length calculation** from the stroke Lc (in mm) :

please note that to calculate the length, the fixed point has to be in the middle of the stroke

<b>Rc (chain radius)</b>	85	105	125	155	205	405
<b>Ht (Height of the mobile point)</b>	245	285	325	385	485	671
<b>Chain length</b>	Lc/2 + 471	Lc/2 + 534	Lc/2 + 597	Lc/2 + 691	Lc/2 + 848	Lc/2 + 1545

