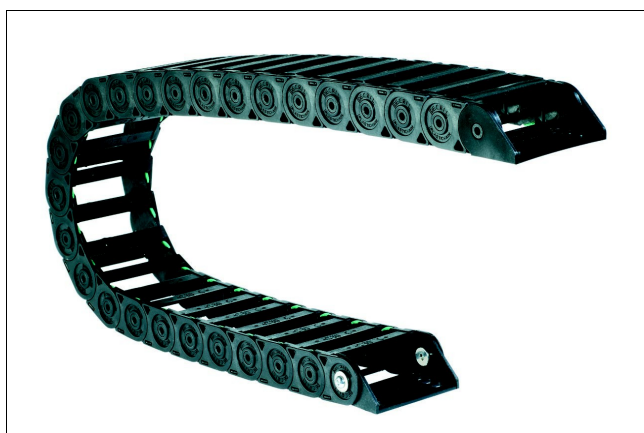


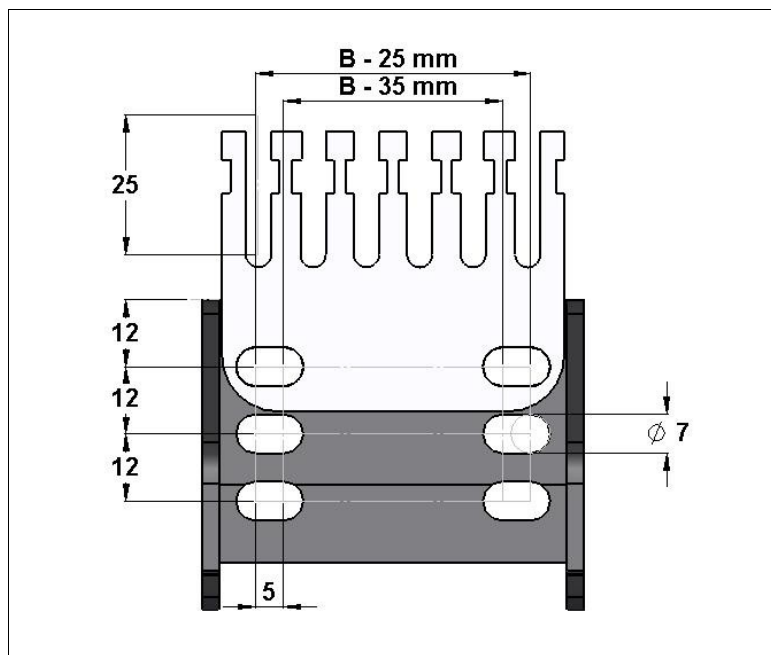
Types	A	B	Ia	Ib	References	Kg/m
4230/A	40	54	34	40	D 011401 D 011402 D 011403	0,6
4230/B	40	74	34	60	D 011451 D 011452 D 011453	0,65
4230/C	40	94	34	80	D 011471 D 011472 D 011473	0,67
4230/D	40	114	34	100	D 011481 D 011482 D 011483	0,68
Rc in mm	Pitch = 42 mm		55	105	155	
Ht in mm	+ or -10 %		176	276	376	
	Radius clips color		Blue	Green	Yellow	



The chain 4230 is light in weight, rapid, and is suitable for all type of applications where travel lengths are up to 6 meters.

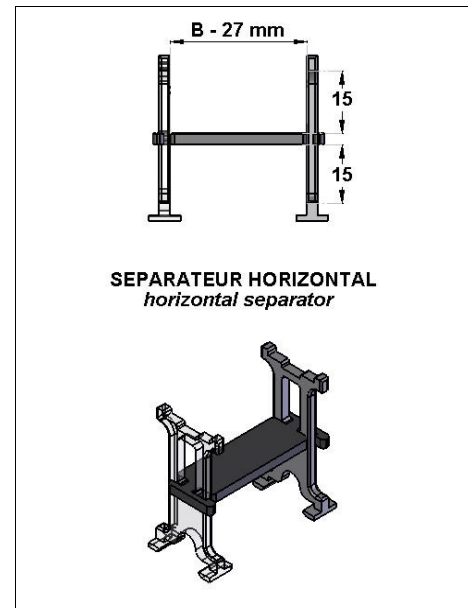
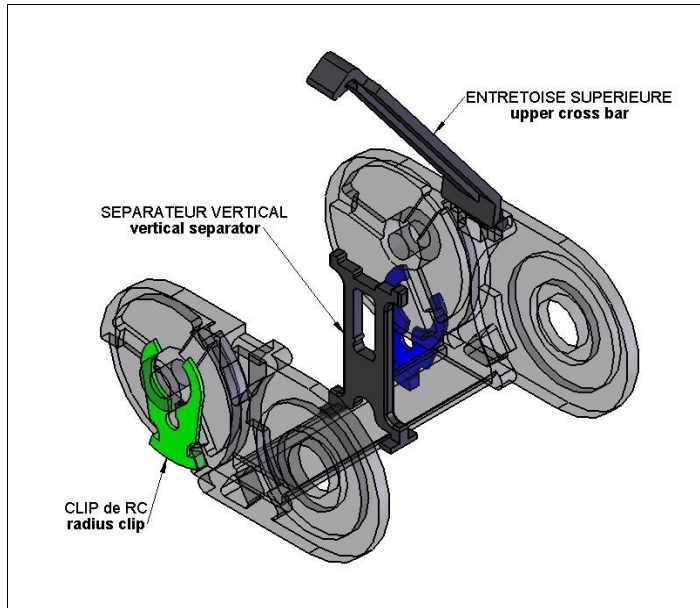
Since the inside height is 34 mm, it can accept 30mm diameter cables .

Steel tiewrap can be used to fix cables at both sides of the chain. The divider separates and guides the cables. The use of tiewrap and dividers helps to increase the life of the cables.



Types	End connector set References	B - 25 In mm	B - 35 In mm	Thickness	Material	
4230/A	D 010491	29	19	3	PA6 15 FV	
4230/B	D 015491	49	39	3	PA6 15 FV	
4230/C	D 017491	69	59	3	PA6 15 FV	
4230/D	D 018491	89	79	3	PA6 15 FV	
Types	Tiewrap ( 1 no.)	B - 25 In mm	B - 35 In mm	No. Of teeth	Thickness	Material
4230/A	P 010491	29	19	5	1,5	Steel
4230/B	P 015491	49	39	7	1,5	Steel
4230/C	P 017491	69	59	9	1,5	Steel
4230/D	P 018491	89	79	11	1,5	Steel

*one set of 2 tiewraps needed for one chain  
tiewraps in stainless steel can be provided on request*



Modèles	vertical divider References	Horizontal divider References	B - 28 En mm	Thickness	Material
4230/A	D 010495	D 010405	26	2,5	PA6 15 FV
4230/B	D 010495	D 010455	46	2,5	PA6 15 FV
4230/C	D 010495	D 010475	66	2,5	PA6 15 FV
4230/D	D 010495	D 010485	86	2,5	PA6 15 FV

**Chain length calculation** from the stroke Lc (in mm) :

please note that to calculate the length, the fixed point has to be in the middle of the stroke

<b>Rc (chain radius)</b>	55	105	155
<b>Ht (Height of the mobile point)</b>	176	276	376
<b>Chain length</b>	$Lc/2 + 298$	$Lc/2 + 456$	$Lc/2 + 613$

