

# Motor isolating relay MTR12-8..230V UC



2 + 2 NO contacts not potential free  
5A/250V AC for one or two 230V motors.  
Standby loss 0.5 watt only.

Modular device for DIN-EN 60715 TH35 rail mounting.

1 module = 18mm wide, 58mm deep.

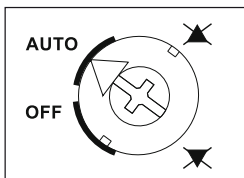
Universal control voltage 8..230V UC.  
230V supply voltage.

The tube-mounted motors of shading elements and roller shutters must not be connected in parallel, or reverse voltages will occur through the limit switches, ultimately causing failure of the motors.

For one motor and if the control voltage and the motor voltage are 230V, one EGS12Z is adequate. Where more than one motor is controlled by an EGS12Z or in case the control voltage is different, one MTR12 must be connected to two motors. It must be remembered that the MTR12 devices, while they can be operated in parallel, require unassigned contact outputs K2/K3 of the controlling EGS12Z. These have to be connected to terminals K2/K3 of the MTR12.

1/2 = Motor 1, 3/4 = Motor 2.

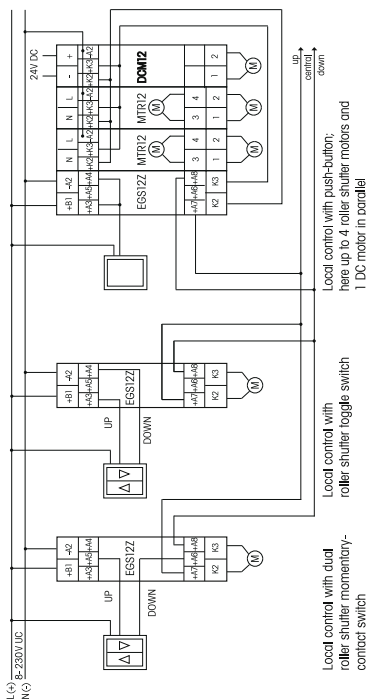
## Function rotary switch



The functions UP and DOWN may be blocked or switched off entirely by a rotary switch. This block applies only to the max.

2 connected motors. Therefore single shading elements or roller shutters can be completely or partially excepted from the automatic function of an over-all control.

## Typical connection



## Technical Data

Contact	AgSnO <sub>2</sub> /0.5 mm
Rated switching capacity	5A/250V AC
Inductive load	650W <sup>1)</sup>
Switch position indication	LED
Temperature at mounting location	+50°C/-20°C

<sup>1)</sup> Inductive load  $\cos \varphi = 0.6$  as sum of both contacts 1000 W max.



The strain relief clamps of the terminals must be closed, that means the screws must be tightened for testing the function of the device. The terminals are open ex works.

## Important note!

Only skilled electricians may install this electrical equipment otherwise there is the risk of fire or electric shock.