



Eikon: Button 2M grey

20022

Eikon / Devices / Basic devices

Button 2M grey

Interchangeable 2-module button, lightable, grey

Product Status

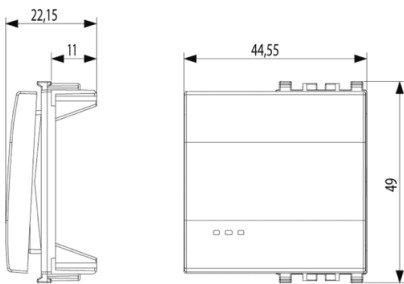
3 - Active

Minimum order quantity

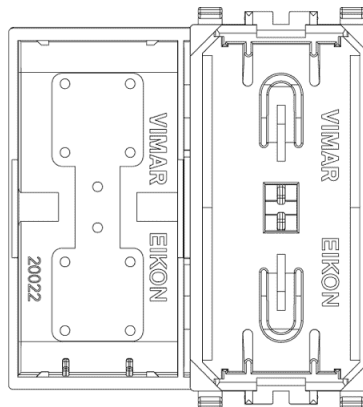
2 NR



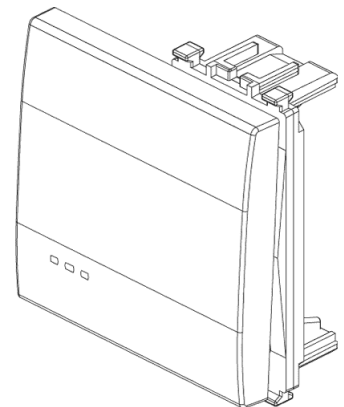
Drawings



Space view



Backside view



3D View

Technical data

- **Class group:** Domestic switching devices
- **Class:** Control element/cover plate for domestic
- **Model:** Single rocker
- **Imprint/indication:** Without imprint
- **Utilization:** Switch/push button
- **Suitable for touch sensor conn:** No
- **Type of fastening:** Clamp mounting
- **Monitoring window/light outlet:** Yes
- **Material:** Plastic
- **Material quality:** Thermoplastic
- **Halogen free:** Yes
- **Surface protection:** Untreated
- **Surface finishing:** Matt
- **Colour:** Grey
- **RAL-number (akin):** 7024
- **With label area:** No
- **With exchangeable lens/symbol:** No
- **Suitable for degree of protect:** IP40



Certifications

- 01. IMQ - Italy ([download](#))
- 04. NF - France
- 09. VDE - Germany ([download](#))
- 29. QCERT - Colombia ([download](#))
- 96. Electrotechnical expert ([download](#))

Packaging



8 007352 252660

Code 8007352252660
Quantity 1 NR
Dim. 4.46x4.9x2.29 [cm]
Weight 8.4 [g]



8 007352 252677

Code 8007352252677
Quantity 2 NR
Dim. 5.1x2.8x5.3 [cm]
Weight 20.8 [g]



8 007352 252684

Code 8007352252684
Quantity 310 NR
Dim. 28.4x24.4x19.5 [cm]
Weight 3,464.27 [g]

Legal

Vimar reserves the right to change at any time and without notice the characteristics of the products reported. Installation should be carried out by qualified staff in compliance with the current regulations regarding the installation of electrical equipment in the country where the products are installed. For the terms of use of the information on the product info sheet see [conditions of use](#).