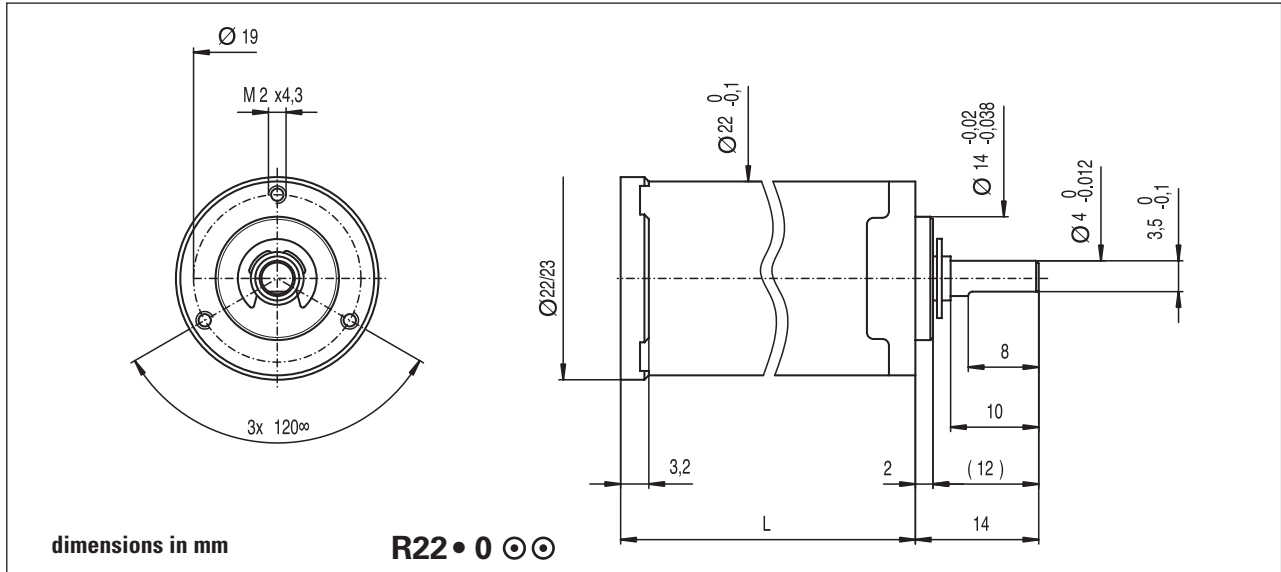


0.6 Nm

Planetary Gearhead



Ratio	☉ ☉	5.75	16.2	19.4	27.6	33.1	65.5	93.2	111	132	159	190	376	641	1090
No. of gear stages		1	2	2	2	2	3	3	3	3	3	3	4	4	4
Direction of Rotation		=	=	=	=	=	=	=	=	=	=	=	=	=	=
Efficiency		0.8	0.7	0.7	0.7	0.7	0.6	0.6	0.6	0.6	0.6	0.6	0.5	0.5	0.5
L (mm)		25	32.5	32.5	32.5	32.5	40	40	40	40	40	40	40	40	40
Mass (g)		20	25	25	25	25	30	30	30	30	30	30	33	33	33
Available with motor															
22S78 • 1															
22N28 • 286/22N 48 • 308															
22V28 • 202/22V48.225															
23GST82 • 2															
23V58 • 4/23V48 • 11															
26N58 • 5/26N48 • 9															
28L28 • 164 / 28L18 • 317															
28LT12 • 164															
P310 • 9															

Characteristics		R22 • 0	R22 2R • 0
Bearing Type		sleeve	ball
Max. static torque	Nm (oz-in)	2 (283)	2 (283)
Max. radial force at 8 mm from mounting face	N (lb)	10 (2.2)	15 (3.3)
Max. axial force	N (lb)	10 (2.2)	10 (2.2)
Force for press-fit	N (lb)	300 (67.4)	300 (67.4)
Average backlash at no-load		1.5°	1.5°
Average backlash at 0.3 Nm		3°	3°
Radial play	µm	≤25	≤10
Axial play	µm	50-150	50-150
Max. recom. input speed	rpm	5000	5000
Operating temperature range	°C (°F)	-30...+65 (-22...+150)	

