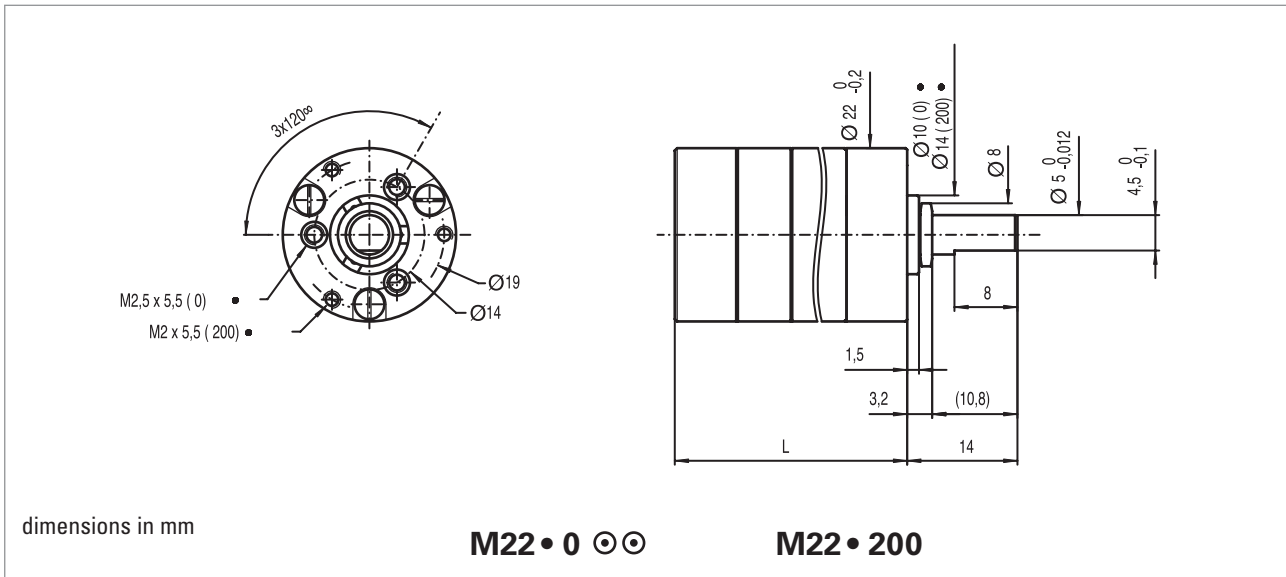


M22

Planetary Gearhead

1.5 Nm



Ratio	☉☉	3.67	5	13.4	18.3	25	49.3	67.2	91.7	125	180.8	246.5	336.1	458.3	625	903.8
No. of gear stages		1	1	2	2	2	3	3	3	3	4	4	4	4	4	5
Direction of Rotation		=	=	=	=	=	=	=	=	=	=	=	=	=	=	=
Efficiency		0.8	0.8	0.7	0.7	0.7	0.6	0.6	0.6	0.6	0.55	0.55	0.55	0.55	0.55	0.5
L (mm)		22.6	22.6	29.5	29.5	29.5	36.4	36.4	36.4	36.4	43.3	43.3	43.3	43.3	43.3	50.2
Mass (g)		26	26	33	33	33	40	40	40	40	47	47	47	47	47	54
Available with motor																
22N28 • 286/ 22N48 • 308																
22V28 • 201/22V48 • 204																
25GST82 • 5/6 / 23GST82 • 2																
23V58 • 4/23V48 • 11																
26N58 • 5/26N48 • 9																
28L28 • 164 / 28L28 • 317																
28LT12 • 164																

Characteristics	M22 . 0 / . 200	
Bearing Type	sleeve	
Max. static torque	Nm (oz-in)	4 (556)
Max. radial force at 8 mm from mounting face	N (lb)	50 (11)
Max. axial force	N (lb)	70 (16)
Force for press-fit	N (lb)	100 (22)
Average backlash at no-load	2°	
Average backlash at 1 Nm	3°	
Radial play	µm	<200
Axial play	µm	50-150
Max. recom. input speed	rpm	7500
Operating temperature range	°C (°F)	-30...+65 (-22...+150)

