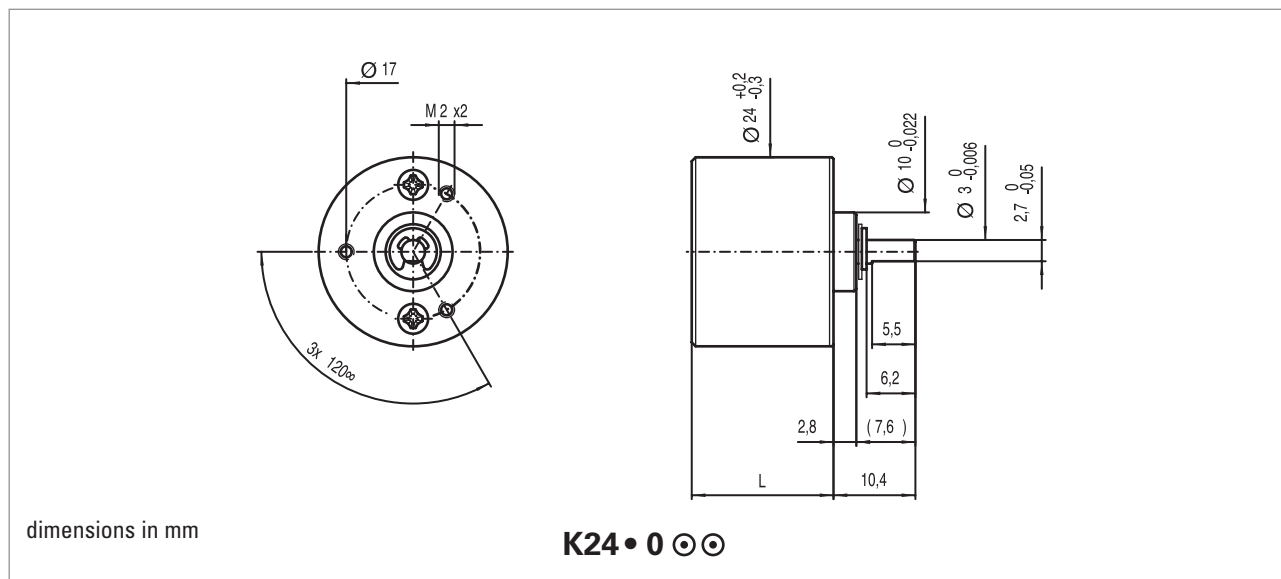


0.17 Nm

Reduction Gearhead with Spur Gears



Ratio	⊙ ⊙	5	8	20	32	64	128	320	800	2048
No. of gear stages		2	2	4	4	4	4	6	6	6
Direction of Rotation		=	=	=	=	=	=	=	=	=
Efficiency		0.85	0.85	0.75	0.75	0.75	0.75	0.65	0.65	0.65
L (mm)		15	15	18	18	18	18	21	21	21
Mass (g)		15	15	18	18	18	18	20	20	20
Available with motor										
22N28 • 286/22N 48 • 308										
22V28 • 202/22V 48 • 245										
23V58 • 4/23V48 • 11										
26N58 • 5/26N48 • 9										
P310 • 9.09										

Characteristics		K24 • 0	K24 2R • 0
Bearing Type		sleeve	ball
Max. static torque	Nm (oz-in)	0.7 (100)	0.7 (100)
Max. radial force at 8 mm from mounting face	N (lb)	5 (1.1)	20 (4.5)
Max. axial force	N (lb)	8 (1.8)	10 (2.2)
Force for press-fit	N (lb)	30 (6.7)	30 (6.7)
Average backlash at no-load		1.5°	1.5°
Average backlash at 0.12 Nm		2.5°	2.5°
Radial play	µm	≤40	≤10
Axial play	µm	50-150	≤10
Max. recom. input speed	rpm	5000	5000
Operating temperature range	°C (°F)	-30...+65 (-22...+150)	

