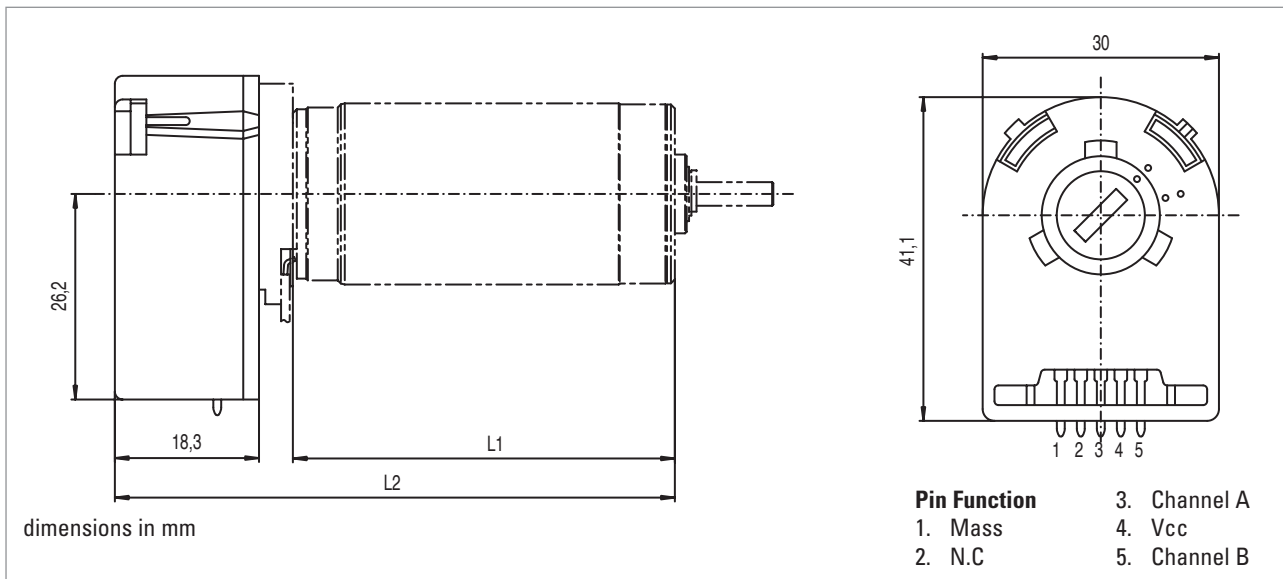


HEDS 5500/5540

Optical Encoder



Characteristics at 22°C

5500/5540

Measured Values			
Standard number of lines			96 to 1024
Supply voltage	V	$5 \pm 10\%$	
Supply current, typical value	mA		17-57
Output signals		2 channels, square wave in quadrature 3 channels (with index)	
Electrical phase angle between channels		$90 \pm 10^\circ$	
Output current per channel	mA	>5, TTL compatible	
Frequency response	kHz	100	
Moment of inertia	kgm ²	0.6×10^{-7}	
Operating temperature	°C	-40 to 100	
Connections		5 pins	

HEDS 5500/5400	L1	L2
25GST • 4	43.4	61.7
25GT • 4	53.45	71.75
35NT2R32 • 13	57.6	83.65
35NT2R82 • 13	62.6	83.65

On request HP encoder available on other motors. Encoder also available with line-driver

HP encoders are available for mounting on shaft diameters of 2,3,4 and 5. For more information, please ask for the Hewlett-Packard data sheet.